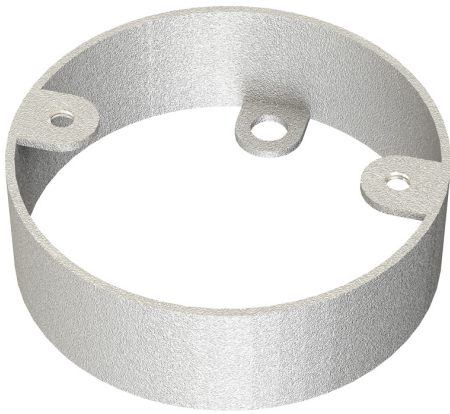


**PRODUCT CODE: SR13G**  
EXTENSION RING



**DESCRIPTION**

13mm Extension Ring

**FINISH**

BZP

**MATERIAL**

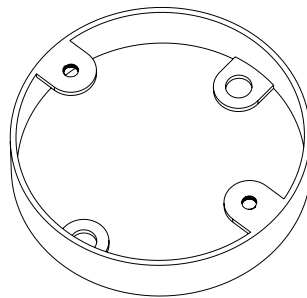
Steel

**PACKAGING**

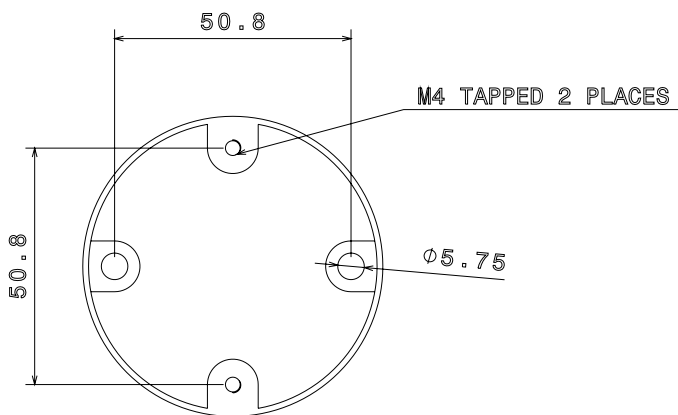
Packed in qty 50

**ADDITIONAL NOTES**

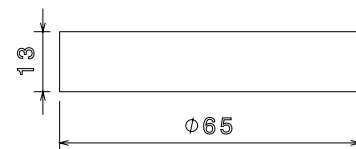
Conforms to BS EN61386-1



Isometric view



Top view



Side view